

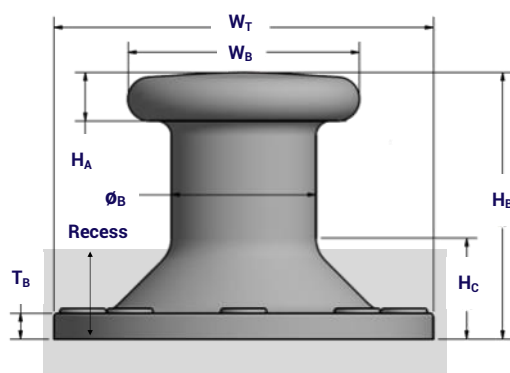
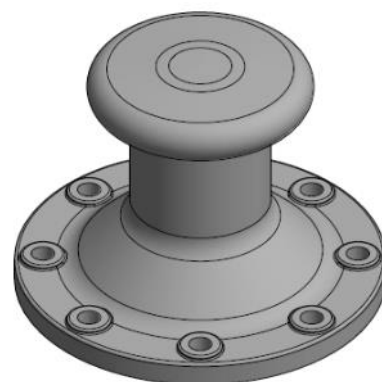
# ESC PILLAR BOLLARD – JAPANESE DESIGN

## DATASHEET

ESC's latest generation of Pillar Bollards – Japanese Design provide a compact high strength bollard system that can be utilised in a multitude of configurations

- ✓ General purpose applications up to 200 tons
- ✓ Avoid steep rope angles were possible
- ✓ Suitable for warping operations
- ✓ 360 degree horizontal line angle use
- ✓ Can be utilized from all sides of jetty

Dimension	Units	Bollard Capacity (Tons)							
		15	25	35	50	70	100	150	200
$W_T$	mm	600	720	720	840	960	1180	1440	1700
$\phi_B$	mm	250	300	300	350	400	450	550	650
$W_B$	mm	420	480	480	560	640	720	880	1040
$T_B$	mm	45	60	60	70	80	80	100	110
$H_A$	mm	88	105	105	123	140	158	193	228
$H_B$	mm	438	525	525	613	700	833	1018	1203
$H_C$	mm	125	150	150	175	200	270	330	390
Bolt Length	mm	750	1000	1000	1150	1300	1300	1600	1800
Bolts	-	M36	M48	M48	M56	M64	M64	M80	M90
Recess	mm	100	130	130	160	190	270	340	410
Bolts Quantity	-	4	4	6	6	6	8	8	8



## MATERIAL SELECTION

MATERIALS	STANDARD(S)	GRADE (S)
Ductile Cast Iron (for body)	BS EN 1563 ASTM A 536 GB/T 1348	EN-GJS-450 to 500 65-45-12 to 80-55-6 QT450-10 to QT-600-3
Cast Steel (for body)	ASTM A148 ISO 1030 GB/T 11352	65-35 to 80-50 230-450 to 340-570 ZG230-450 to ZG340-640
Anchor Bolts (galvanized)	ISO 898 BS 3692 ASTM	Gr. 5.8 to 8.8 (galvanized) Gr. 5.8 to 8.8 (galvanized) ASTM F1554 Gr. 105 (galvanized)

## OTHER DESIGNS

ESC is able to produce bollards of virtually any dimension. Shown here are just the standard range of bollards, but custom design bollards can be manufactured according to the client's design.

### Disclaimer

The information provided within this datasheet is for general information purposes only, without any warranty. ESC shall not be held responsible for any errors, omissions or misuse of any of the information provided. ESC disclaims any and all liability resulting from the ability or inability to use the information within this document. Anyone using the information contained does so at their own risk. ESC shall not be held liable for any damages which includes any financial losses or incidental or consequential damages arising from the use of this information. The product range contained is liable to change without notice.



**ESC Marine Systems**  
**W** [www.escmarinesystems.com](http://www.escmarinesystems.com)  
**E** [info@escmarinesystems.com](mailto:info@escmarinesystems.com)  
**T** +852 3956 1868

Download the App 'ESC Group'

