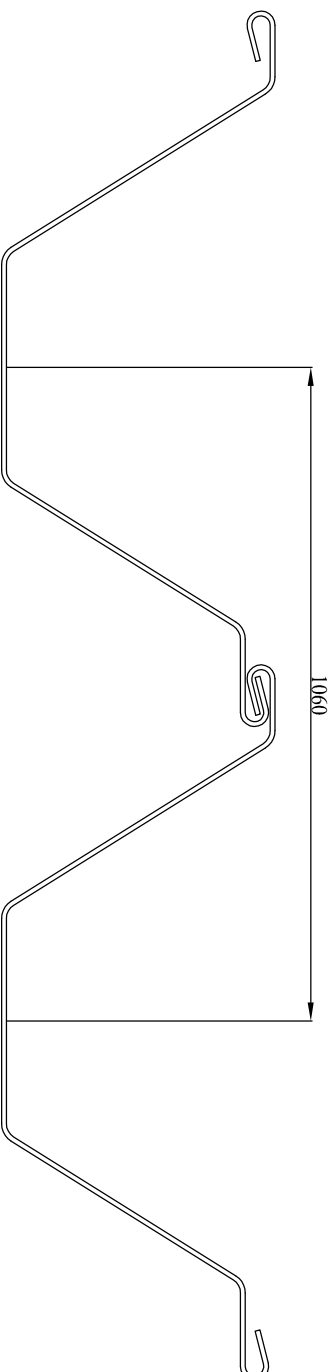


SHEET PILE PROFILE



INTERLOCKED PROFILE

COMBINED PILE PROPERTIES								
SERIES	UNIT WIDTH W [in] (mm)	HEIGHT H [in] (mm)	THICKNESS t [in] (mm)	MASS [lb/ft] (kg/m)	MASS [lb/ft ²] (kg/m ²)	TOTAL MODULUS [in ³ /ft] (cm ³ /m)	TOTAL MOMENT OF INERTIA [in ⁴ /ft] (cm ⁴ /m)	Coating Area both side [ft ² /ft] (m ² /m)
ESC-C-CFW16	41.69 (1,060)	17.46 (444)	0.31 (7.75)	73.58 (109.5)	21.22 (103.4)	29.8 (1,600)	259.27 (35,520)	10.17 (3.10)

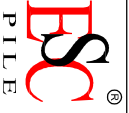
C			
N			
M			
L			
K			
J			
I			
H			
G			
F			
E			
D			
C			
B			
A	Initial Revision	7.3.11.15	JLY
Issue	Revision	Date	Initial

Notes:
All dimensions in millimetres

ESC Client:

Manufacturer:
ESC Group
 Room 2029, Dongdu International, No.651
 East 2nd Ring Road,
 Puzao District, Shuangqing, China
 Postcode: 200082
 P1 : +86-21-31263901 Fax : +86-21-31263902
 Email : escglobal@escpile.com

Project Title:


ESC-C-CFW16 SHEET PILE
PROFILE DRAWING

Drawing Title:

Stamp: _____ Signature: _____

PROFILE DRAWING

Designed JLY	Drawn JLY	Checked CHK	Drawing No.	Rev.
Scale NTS	Date 13.11.2015	Job No. -		A