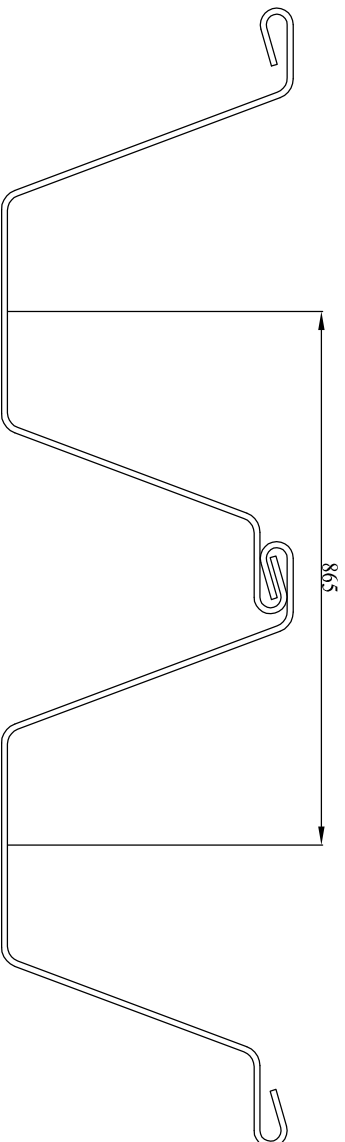


SHEET PILE PROFILE



INTERLOCKED PROFILE

COMBINED PILE PROPERTIES								
SERIES	UNIT WIDTH W [in] (mm)	HEIGHT H [in] (mm)	THICKNESS t [in] (mm)	MASS [lb/ft] (kg/m)	MASS [lb/ft ²] (kg/m ²)	TOTAL MODULUS [in ³ /ft] (cm ³ /m)	TOTAL MOMENT OF INERTIA [in ⁴ /ft] (cm ⁴ /m)	Coating Area both side [ft ² /ft] (m ² /m)
ESC-C-CFW26	34.02 (865)	18.63 (473)	0.38 (9.75)	92.57 (137.8)	32.72 (159.5)	48.6 (2.610)	457.08 (62.620)	12.70 (3.87)

C			
N			
M			
L			
K			
J			
I			
H			
G			
F			
E			
D			
C			
B			
A	Initial Revision	13.11.15	JLY

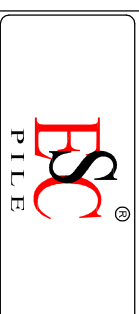
Notes:
All dimensions in millimetres

ESC Client:

Manufacturer:

ESC Group
Room 309, Dongdu International, No.651
East Ring Road, No. 1, Sheng
Piao District, Shanghai, China
Postal: 200082
P: +86-21-31263901 Fax: +86-21-31263902
Email: escglobal@escpile.com

Project Title:



Drawing Title:
**ESC-C-CFW26 SHEET PILE
PROFILE DRAWING**

Stamp:

Signature:

PROFILE DRAWING

Designed JLY	Drawn JLY	Checked CHK	Drawing No.	Rev.
Scale NTS	Date 13.11.2015	Job No. -		A